

Z60M Series

FIGURE 66

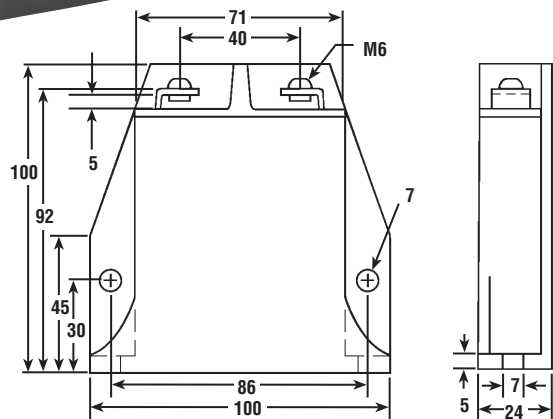
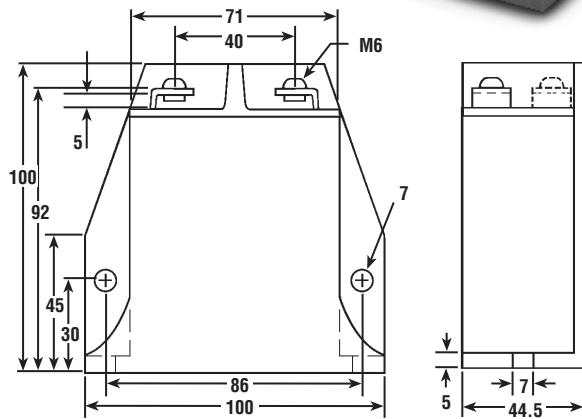


FIGURE 71



Type	Voltage Ratings				Energy Joules	Maximum Operating Conditions			Typical Capacitance pf	Figure
	VAC Volts RMS	VDC Volts	Varistor Peak Voltage			Max. Clamping Voltage		Peak Current (8x20µs) Amps		
			Min.	Max.		Volts	Amp.			
			Volts	Volts		Volts	Amp.			
Z60M431	275	369	389	473	950	680	200	50000	9000	66
Z60M511	320	420	462	539	1100	760	200	50000	7500	66
Z60M681	420	560	610	748	1500	1060	200	70000	6000	66
Z60M751	480	640	670	825	1600	1160	200	70000	5500	66
Z60M821	510	675	735	910	1800	1300	200	70000	5000	66
Z60M911	575	730	805	1000	2100	1420	200	70000	4500	66
Z60M102	660	850	940	1160	2300	1640	200	70000	4000	66
Z60M122	750	970	1080	1320	2600	1880	200	70000	3500	66
Z60M182	1100	1400	1620	2060	3800	2940	200	70000	2200	71
Z60M222	1400	1750	2020	2550	5000	3600	200	70000	1800	71
Z60M272	1700	2150	2500	3030	6000	4300	200	70000	1500	71
Z60M332	2000	2500	2970	3630	7500	5200	200	70000	1200	71
Z60M392	2400	3000	3510	4290	8600	6200	200	70000	1000	71
Z60M472	2800	3500	4230	5170	10000	7400	200	70000	800	71

Maximum Power Dissipation: Z60M - 2.5 watts

Typical response time is less than 15 nanoseconds.